

# FIELD NOTCHING AND DRILLING OF GLUED LAMINATED TIMBER BEAMS

Number EWS S560E

November 2003

## Introduction

Glued laminated timber (glulam) beams are highly engineered components manufactured from specially selected and positioned lumber laminations of varying strength and stiffness properties. These fabricated beams are often specified where a certain span, strength and/or stiffness is required. As such, glulam beams are generally designed for and used in applications where they will be highly stressed under design loads. For this reason, field modifications such as notching, tapering or drilling not shown on the design or shop drawings should be avoided, and never done without a thorough understanding of their effects on the structural integrity of the member.

As mentioned above, glulam beams are fabricated using selected lumber laminations of various strength, stiffness and species. The beams are “assembled” with lower grade material in the mid-depth of the beam and higher grade material

positioned on the top and bottom. The highest grade of material is used as the outermost laminations on the tension side of the beam. Because of this, any drilling, dapping or notching that takes place in these outermost tension laminations has a two-fold effect on the strength and serviceability of the beam. First, such modifications reduce the section of the beam. Second, they remove wood fiber from the laminations having the highest strength. Given this, along with the fact that stress concentrations occur in such areas created by notching or drilling, it is easy to see why a cautious approach to field modifications is vital.

This Technical Note provides recommendations for field notching, tapering and drilling glulam beams. Beams illustrated herein are assumed to be simple span subjected to uniform loads, and are shown with the compression side up. All equations and notching guidelines are presented using the same assumptions. If this information is applied to continuous or cantilevered beams, it should be used with extreme caution and only after careful analysis based on sound engineering judgment.

It is important to understand that improperly made field notches or holes may reduce the capacity of a properly designed member to the point where a structural failure may occur. The effects of any field notching or drilling should be checked by a designer competent in engineered timber design.

## Notching

Notching of bending members should be avoided whenever possible, especially on the tension side of the member. Tension side notching of glulam beams is not permitted except at end bearings and then only under specific conditions. The notching of a bending member on the tension side results in a decrease in strength caused by stress concentrations which develop around the notch as well as a reduction of the area resisting the bending and shear forces. Such notches induce perpendicular-to-grain tension stresses which, in conjunction with horizontal shear forces, can cause splitting along the grain, typically starting at the inside corner of the notch. Stress concentrations due to notches can be reduced

by using a gradually tapered notch configuration in lieu of a square-cornered notch. Rounding the square corner of a notch with a radius of approximately 1/2 inch is also recommended to reduce stress concentrations in these areas.

For square-cornered notches occurring at the ends of beams on the tension side, the designer may consider the use of reinforcement such as full-threaded lag screws to resist the tendency to split at the notch. (See Figure 1.) A number of design methodologies exist for sizing such screws. The design methodology selected and subsequent fabrication details are the responsibility of the designer/engineer of record. If lag screws are used, lead holes shall be predrilled in accordance with accepted practice.

This procedure can also be used as a field remedy to minimize further propagation of an existing crack.

Where glulam members are notched at the ends for bearing over a support, the notch depth shall not exceed 1/10 of the beam depth. Figure 2(f) is provided to assist in evaluating the associated reductions to beam strength due to notching on the tension side. For notches on the compression side, a less severe condition exists and equations for the analysis of the effects of these notches are also given in Figure 2. The equations given are empirical in nature and were developed for the conditions shown.

As this guideline is limited to single span, simply supported beams, the notches shown in Figure 2 occur in areas of high

shear and effectively zero moment. For this reason, the design equations given are shear equations. In situations where compression side notches extend into areas of significant moment, the bending capacity of the beam should also be checked using the remaining section of the beam and the appropriate allowable stresses for those laminations remaining at the notch location. Contact Engineered Wood Systems for more information regarding this type of notch.

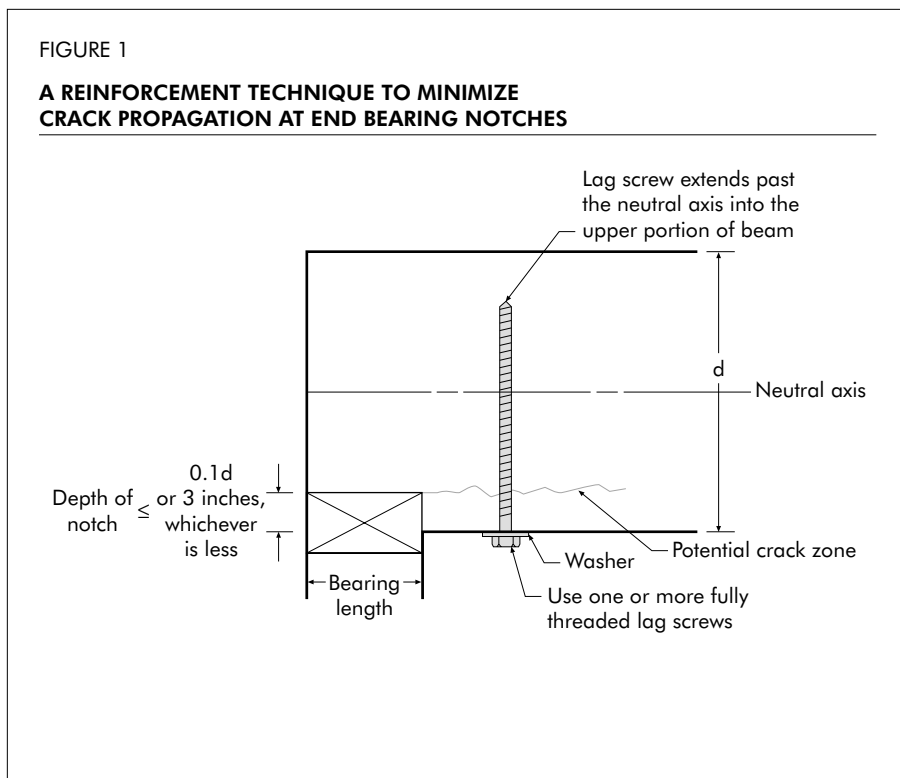
When it becomes necessary to cut a small notch in the top of a glued laminated timber (in the compression zone) to provide passage for small diameter pipe or conduit, this cut should be made in areas of the beam stressed to less than 50 percent of the design bending stress. The net section in these areas should be checked for shear and bending stresses to insure adequate performance.

All field notches should be accurately cut. Avoid overcutting at the root of the notch. Drilling a pilot hole in the member at the interior corner location of a notch as a stop point for the saw blade provides both a rounded corner and minimizes overcutting at the corner.

## Holes

### Horizontal Holes

Like notches, holes in a glulam beam remove wood fiber, thus reducing the net area of the beam at the hole location, and they introduce stress concentrations. These effects cause a reduction in the capacity of the beam in the area of the



penetration. For this reason, horizontal holes in glued laminated timbers are limited in size and location to maintain the structural integrity of the beam. Figure 3 shows the zones of a uniformly loaded, simply supported beam where the field drilling of holes may be considered. These non-critical zones are located in portions of the beam stressed to less than 50 percent of design bending stress and less than 50 percent of design shear stress. For beams of more complex loading or other than simple spans, similar diagrams may be developed.

Field-drilled horizontal holes should be used for access only and should not be used as attachment points for brackets or other load bearing hardware unless specifically designed as such by the engineer or designer. Examples of access holes include those used for the passage of wires, electrical conduit, small diameter sprinkler pipes, fiberoptic cables, and other small, lightweight materials. These field drilled horizontal holes should meet the following guidelines:

1. Hole size: The hole diameter should not exceed 1-1/2 inches or 1/10 the beam depth, whichever is smaller.
2. Hole location: The hole should have a minimum clear distance, as measured from the edge of the hole to the nearest edge of the beam, of 4 hole diameters to the top or bottom face of the beam and 8 hole diameters from the end of the beam. Note that the horizontal hole should not be drilled in the moment critical zone, as defined in Figure 3, unless approved by an engineer or architect qualified in

engineered timber design.

3. Hole spacing: The minimum clear spacing between adjacent holes, as measured between the nearest edge of the holes, should be 8 hole diameters based on the largest diameter of any adjacent hole in the beam.

4. Number of holes: The maximum number of holes should not exceed 1 hole per every 5 feet of beam length. In other words, the maximum number of holes should not exceed 4 for a 20-foot long beam. The hole spacing limitation, as given above, should be satisfied separately.

For glulam members that have been oversized, the guidelines given above may be relaxed based on an engineering analysis.

Regardless of the hole location, holes drilled horizontally through the member should be positioned and sized with the understanding that the beam will deflect over a period of time under in-service loading conditions. This deflection could cause distress to supported equipment or piping unless properly considered.

#### **Vertical Holes**

Whenever possible, avoid drilling vertical holes through glulam beams. As a rule of thumb, vertical holes drilled through the depth of a glulam beam cause a reduction in the capacity at that location directly proportional to the ratio of 1-1/2 times the diameter of the hole to the width of the beam. For example, a 1-inch hole drilled in a 6-inch-wide beam would reduce the capacity of the beam at that section by approximately  $\frac{(1 \times 1\frac{1}{2})}{6} = 1/4$ .

For this reason, when it is necessary to drill vertical holes through a glulam

member, the holes should be positioned in areas of the member that are stressed to less than 50 percent of design in bending. In a simply supported, uniformly loaded beam, this area would be located from the end of the beam inward approximately 1/8 of the beam span. In all cases, the minimum clear edge distance, as measured from either side of the member to the nearest edge of the vertical hole, should be 2-1/2 times the hole diameter. Use a drill guide to minimize “wandering” of the bit as it passes through knots or material of varying density, and to insure a true alignment of the hole through the depth of the beam.

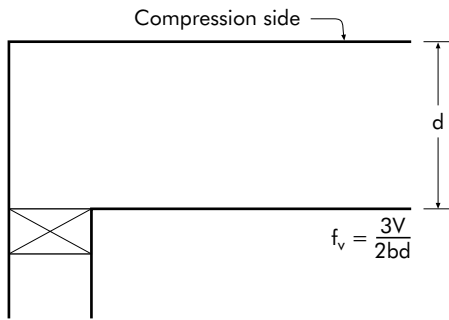
#### **Holes for Support of Suspended Equipment**

Heavy equipment or piping suspended from glulam beams should be attached such that load is applied to the top of the members to avoid introducing tension perpendicular-to-grain stresses. Any horizontal holes required for support of significant weight, such as suspended heating and cooling units or main water lines, must be located above the neutral axis of the member and in a zone stressed to less than 50 percent of the design flexural stress. (See Figure 3.) Fasteners supporting light loads such as light fixtures must be placed at least four laminations or 25% of beam depth, whichever is greater, away from the tension face of the member. The design capacity of the beam should be checked for all such loads to insure proper performance.

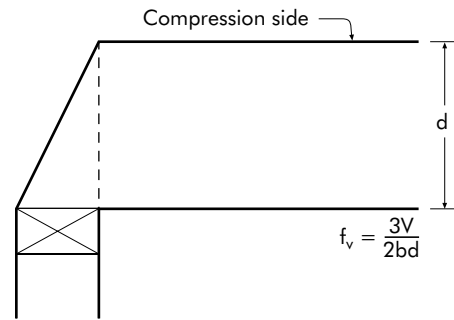
#### **Protection of Field-Cut**

FIGURE 2

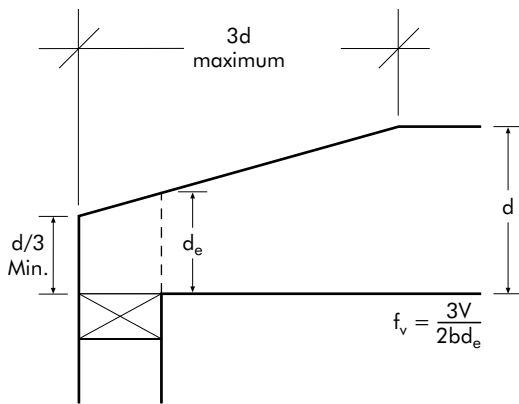
**SHEAR DESIGN EQUATIONS FOR NOTCHED AND TAPERED BEAMS**



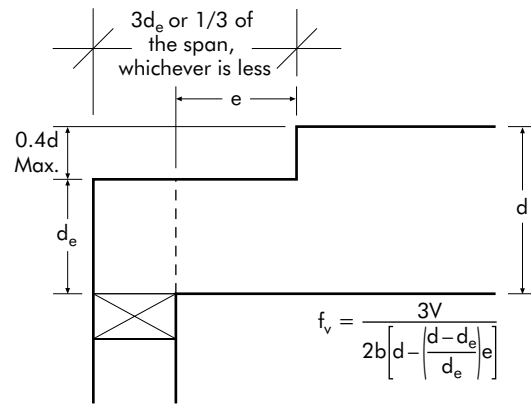
**(a) Square End Bearing**



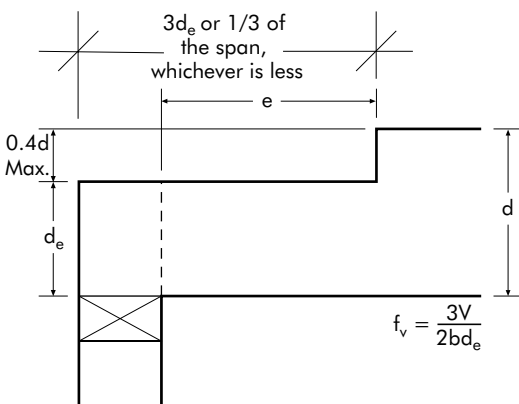
**(b) Slope End Bearing**



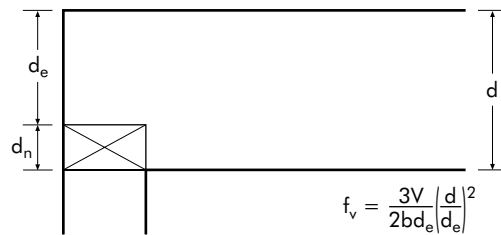
**(c) Sloped End Cut for Roof Drainage**



**(d) Compression-side notch – Where  $e \leq d_e$**



**(e) Compression-side Notch – Where  $e > d_e$**



Maximum depth of end notch,  $d_n$ , is 0.1d or 3 inches, whichever is less

**(f) Tension-side Notch**

$f_v$  = shear stress (psi)       $V$  = shear force at notch location (lb)  
 $d$  = depth of beam (in.)       $d_e$  = effective depth as shown (in.)

$b$  = width of beam (in.)  
 $e$  = length of notch as shown (in.)

## Notches and Holes

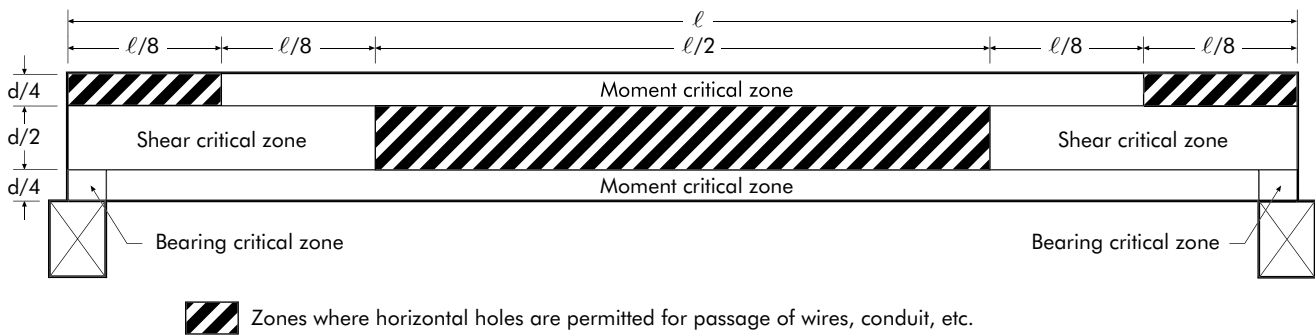
Frequently, glulam beams are provided from the manufacturer with the ends sealed by a protective coating. This sealer is applied to the end grain of the glulam beams to retard the migration of mois-

ture in and out of the beam ends during transit and jobsite storage. Field cutting a notch in the end of a beam can change the moisture absorption characteristics of the beam at the notch location. This can result in seasoning checks or even localized splitting developing at the root of the notch. To minimize this possibility, all

notches should be sealed immediately after cutting using a water-repellent sealer. Sealing other field-cut locations as well as field-drilled holes is also recommended. These sealers can be applied with a brush, swab, roller or spray gun.

FIGURE 3

### ZONES WHERE SMALL HORIZONTAL HOLES ARE PERMITTED IN A UNIFORMLY LOADED, SIMPLY SUPPORTED BEAM



We have field representatives in most major U.S. cities and in Canada who can help answer questions involving APA and APA EWS trademarked products. For additional assistance in specifying engineered wood products or systems, contact us:

**APA – THE ENGINEERED  
WOOD ASSOCIATION  
HEADQUARTERS**

7011 So. 19th St.  
Tacoma, Washington 98466  
(253) 565-6600 • Fax: (253) 565-7265



**[www.apawood.org](http://www.apawood.org)**

**PRODUCT SUPPORT HELP DESK**

(253) 620-7400  
E-mail Address: [help@apawood.org](mailto:help@apawood.org)

*The product use recommendations in this publication are based on the continuing programs of laboratory testing, product research, and comprehensive field experience of Engineered Wood Systems. However, because EWS has no control over quality of workmanship or the conditions under which engineered wood products are used, it cannot accept responsibility for product performance or designs as actually constructed. Because engineered wood product performance requirements vary geographically, consult your local architect, engineer or design professional to assure compliance with code, construction, and performance requirements.*

Form No. EWS S560E  
Revised November 2003/0100

